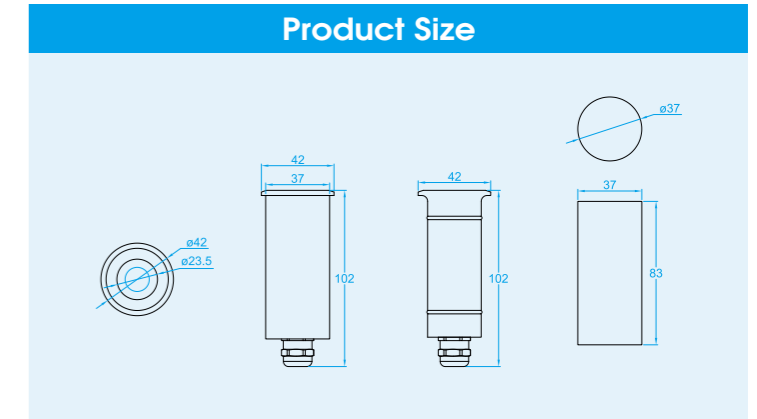


Specification

Model No.:	RS-UW9X-B(88181)
Front cover & Housing:	Stainless steel 304
Dimensions:	D62*H107mm
Tempered Glass:	5mm thickness
LED chip:	Cree / Epistar
LED Q'ty:	3pcs 3W LED / 3pcs 3in1 LED / 3pcs 4in1 LED
Cable gland:	Nickel plated brass PG9
Driver:	Constant current driver
Lens:	Clear, Bead, Frosted
Beam Angle Options:	30° 60°
Power Cable:	2*1.0mm ² / 4*0.75mm ² / 2*1.0+3*0.5mm ² VDE rubber cable
Protection Class:	IP68
Environment:	Dry / Submerged
Mounting Hardware:	Surface Mounted System
Net Weight:	0.85kgs with 1.5m cable
Lifetime:	>50000H

Order information

Item code	Color	Light source(w)	Line Way	Input Voltage (v)	Operating current (mA)	Consumption (w)	Luminous flux (lm)
88181.033.01	2700-3000K	3*3	V+/V-	AC/DC12-24	750 / 375	9	420
88181.033.02	4000-4500K	3*3	V+/V-	AC/DC12-24	750 / 375	9	445
88181.033.03	5000-5500K	3*3	V+/V-	AC/DC12-24	750 / 375	9	465
88181.033.04	6000-6500K	3*3	V+/V-	AC/DC12-24	750 / 375	9	465
88181.033.05	Red	3*3	V+/V-	AC/DC12-24	500 / 250	6	105
88181.033.06	Green	3*3	V+/V-	AC/DC12-24	750 / 375	9	270
88181.033.07	Blue	3*3	V+/V-	AC/DC12-24	750 / 375	9	120
88181.033.08	Yellow	3*3	V+/V-	AC/DC12-24	750 / 375	9	285
88181.033.09	RGB-DMX512 (3 channel)	3*3	V+ /V-/D+/D-/GND	AC/DC12-24	R: 166 / 83 B: 250 / 125 G: 250 / 125	R: 2 B: 3 G: 3	R: 35 B: 40 G: 90
88181.033.10	RGB-DMX512 (3 channel)	3*3in1	V+ /V-/D+/D-/GND	AC/DC12-24	R: 250 / 125 B: 250 / 125 G: 250 / 125	R: 3 B: 3 G: 3	R: 75 B: 90 G: 180
88181.033.12	RGBV+ (build-in CC driver)	3*3	R/G/B/V+	DC12-24	R: 250 / 125 B: 250 / 125 G: 250 / 125	R: 3 B: 3 G: 3	R: 75 B: 90 G: 180
88181.033.13	RGBV+ (build-in CC driver)	3*3in1	R/G/B/V+	DC12-24	R: 250 / 125 B: 250 / 125 G: 250 / 125	R: 3 B: 3 G: 3	R: 75 B: 90 G: 180
88181.034.14	RGBW-DMX512 (4 channel)	3*4in1	V+ /V-/D+/D-/GND	DC24	R: 125 B: 125 G: 125 W: 125	R: 3 B: 3 G: 3 W: 3	R: 75 B: 90 G: 180 W: 270



Specification

Model No.:	RS-RP1X42G(62011)
Front cover & Housing:	Stainless steel 304
Dimensions:	D40*H102mm
Tempered Glass:	5mm thickness
LED chip:	Epistar
LED Q'ty:	1pc 3W LED / 1pc 3in1 LED / 1pc 4in1 LED
Cable gland:	Stainless steel 316L M12
Driver:	Constant current driver
Lens:	Clear, Bead, Frosted
Beam Angle Options:	10° 30° 60°
Power Cable:	2*1.0mm ² / 2*1.0+3*0.5mm ² VDE rubber cable
Protection Class:	IP68
Environment:	Dry / Submerged
Mounting Hardware:	Embedded System
Net Weight:	0.45kgs with 1.5m cable
Lifetime:	>50000H

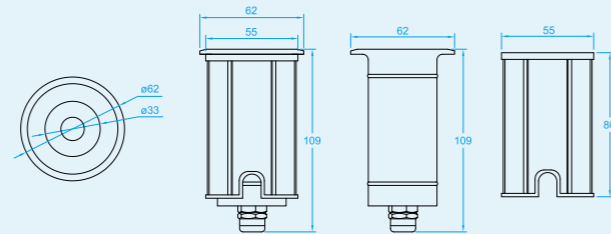
Order information

Item code	Color	Light source(w)	Line Way	Input Voltage (v)	Operating current (mA)	Consumption (w)	Luminous flux (lm)
62011.013.01	2700-3000K	1*3	V+/V-	DC12	167	2	200
62011.013.02	4000-4500K	1*3	V+/V-	DC12	167	2	220
62011.013.03	5000-5500K	1*3	V+/V-	DC12	167	2	240
62011.013.04	6000-6500K	1*3	V+/V-	DC12	167	2	240
62011.013.05	Red	1*3	V+/V-	DC12	167	2	70
62011.013.06	Green	1*3	V+/V-	DC12	167	2	160
62011.013.07	Blue	1*3	V+/V-	DC12	167	2	60
62011.013.08	Yellow	1*3	V+/V-	DC12	167	2	160
62011.013.09	RGB-DMX512 (3 channel)	1*3in1	V+ /V-/D+/D-/GND	DC12	R: 83 B: 83 G: 83	R: 1 B: 1 G: 1	R: 25 B: 30 G: 60
62011.013.10	RGB-RDM (3 channel)	1*3in1	V+ /V-/D+/D-/GND	DC12	R: 83 B: 83 G: 83	R: 1 B: 1 G: 1	R: 25 B: 30 G: 60
62011.014.12	RGBW-DMX512 (4 channel)	1*4in1	V+ /V-/D+/D-/GND	DC12	R: 83 B: 83 G: 83 W: 83	R: 1 B: 1 G: 1 W: 1	R: 25 B: 30 G: 60 W: 90
62011.014.14	RGBW-RDM (4 channel)	1*4in1	V+ /V-/D+/D-/GND	DC12	R: 83 B: 83 G: 83 W: 83	R: 1 B: 1 G: 1 W: 1	R: 25 B: 30 G: 60 W: 90





Product Size



Specification

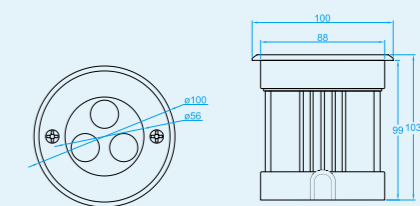
Model No.:	RS-RP5X62G(62013)
Front cover & Housing:	Stainless steel 304
Dimensions:	D62*H109mm
Tempered Glass:	5mm thickness
LED chip:	Epistar
LED Q'ty:	1pc 5W LED / 1pc 4in1 LED
Cable gland:	Nickel plated brass M12
Driver:	Constant current driver
Lens:	Clear, Bead, Frosted
Beam Angle Options:	10° 30° 60°
Power Cable:	2*1.0mm ² / 2*1.0*3*0.5mm ² VDE rubber cable
Protection Class:	IP68
Environment:	Dry / Submerged
Mounting Hardware:	Embedded System
Net Weight:	0.75kgs with 1.5m cable
Lifetime:	>50000H

Order information

Item code	Color	Light source(w)	Line Way	Input Voltage (v)	Operating current (mA)	Consumption (w)	Luminous flux (lm)
62013.015.01	2700-3000K	1*10	V+/V-	DC12-24	416 / 208	5	450
62013.015.02	4000-4500K	1*10	V+/V-	DC12-24	416 / 208	5	475
62013.015.03	5000-5500K	1*10	V+/V-	DC12-24	416 / 208	5	500
62013.015.04	6000-6500K	1*10	V+/V-	DC12-24	416 / 208	5	500
62013.015.05	Red	1*10	V+/V-	DC12-24	416 / 208	5	125
62013.015.06	Green	1*10	V+/V-	DC12-24	416 / 208	5	300
62013.015.07	Blue	1*10	V+/V-	DC12-24	416 / 208	5	150
62013.015.08	Yellow	1*10	V+/V-	DC12-24	416 / 208	5	350
62011.014.09	RGBW-DMX512 (4 channel)	1*4in1	V+ /V-/D+/D-/GND	DC12-24	R: 166 / 83 G: 166 / 83 B: 166 / 83 W: 166 / 83	R: 2 G: 2 B: 2 W: 2	R: 50 G: 120 B: 60 W: 180
62011.014.10	RGBW-RDM (4 channel)	1*4in1	V+ /V-/D+/D-/GND	DC12-24	R: 166 / 83 G: 166 / 83 B: 166 / 83 W: 166 / 83	R: 2 G: 2 B: 2 W: 2	R: 50 G: 120 B: 60 W: 180



Product Size



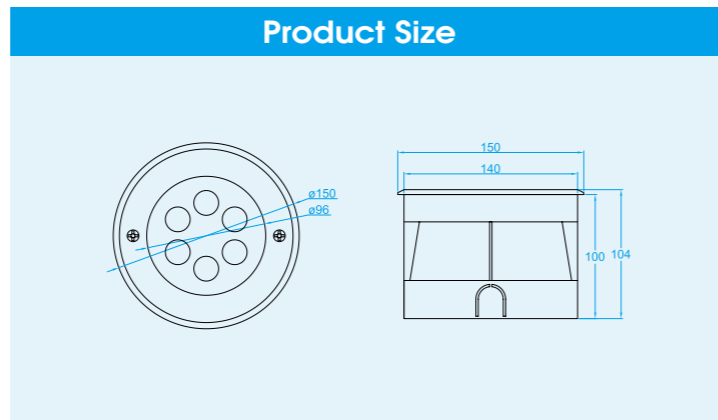
Specification

Model No.:	RS-RP3X(88226)
Front cover & Housing:	304 Stainless steel lamp body+Plastic installation box
Dimensions:	D100*H103mm
Tempered Glass:	8mm thickness
LED chip:	Epistar
LED Q'ty:	3pcs 1W LED
Cable gland:	Nickel plated brass PG9
Driver:	Constant current driver
Lens:	Clear, Bead, Frosted
Beam Angle Options:	10° 30° 45° 60° 90°
Power Cable:	2*1.0mm ² / 4*0.75mm ² / 2*1.5*3*0.5mm ² VDE rubber cable
Protection Class:	IP68
Environment:	Dry / Pool
Mounting Hardware:	Embedded System
Net Weight:	0.5kgs with 1.5m cable
Lifetime:	>50000H

Order information

Item code	Color	Light source(w)	Line Way	Input Voltage (v)	Operating current (mA)	Consumption (w)	Luminous flux (lm)
88226.031.01	2700-3000K	3*1	V+/V-	AC/DC12-24	250 / 125	3	270
88226.031.02	4000-4500K	3*1	V+/V-	AC/DC12-24	250 / 125	3	285
88226.031.03	5000-5500K	3*1	V+/V-	AC/DC12-24	250 / 125	3	300
88226.031.04	6000-6500K	3*1	V+/V-	AC/DC12-24	250 / 125	3	300
88226.031.05	Red	3*1	V+/V-	AC/DC12-24	250 / 125	3	75
88226.031.06	Green	3*1	V+/V-	AC/DC12-24	250 / 125	3	180
88226.031.07	Blue	3*1	V+/V-	AC/DC12-24	250 / 125	3	90
88226.031.08	Yellow	3*1	V+/V-	AC/DC12-24	250 / 125	3	210
88226.031.09	RGB-DMX512 (3 channel)	3*1	V+/V-/D+/D-/GND	AC/DC12-24	R: 83 / 41 G: 83 / 41 B: 83 / 41	R: 1 G: 1 B: 1	R: 25 G: 60 B: 30
88226.031.10	Auto changing color	3*1	V+/V-	AC12V	R: 83 / 41 G: 83 / 41 B: 83 / 41	R: 1 G: 1 B: 1	R: 25 G: 60 B: 30
88226.031.12	RGBV+ (build-in CC driver)	3*1	R/G/B/V+	DC12V	R: 83 / 41 G: 83 / 41 B: 83 / 41	R: 1 G: 1 B: 1	R: 25 G: 60 B: 30



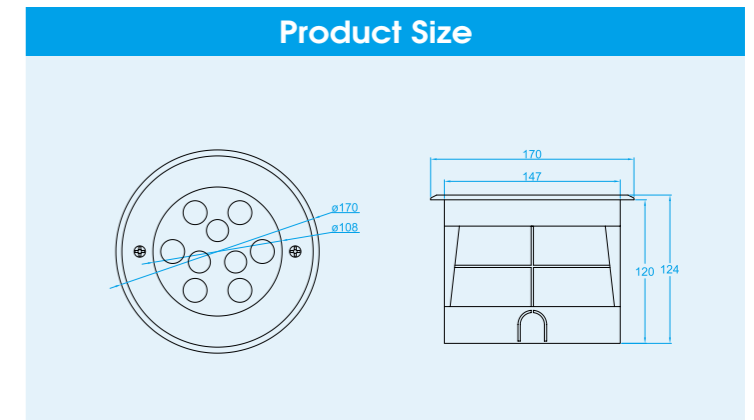


Specification

Model No.:	RS-RP6X(88227)
Front cover & Housing:	304 Stainless steel lamp body+Plastic installation box
Dimensions:	D150*H104mm
Tempered Glass:	8mm thickness
LED chip:	Epistar
LED Q'ty:	6pcs 1W LED
Cable gland:	Nickel plated brass PG9
Driver:	Constant current driver
Lens:	Clear, Bead, Frosted
Beam Angle Options:	10° 30° 45° 60° 90°
Power Cable:	2*1.0mm ² / 4*0.75mm ² / 2*1.5*3*0.5mm ² VDE rubber cable
Protection Class:	IP68
Environment:	Dry / Pool
Mounting Hardware:	Embedded System
Net Weight:	0.6kgs with 1.5m cable
Lifetime:	>50000H

Order information

Item code	Color	Light source(w)	Line Way	Input Voltage (v)	Operating current (mA)	Consumption (w)	Luminous flux (lm)
88227.061.01	2700-3000K	6*1	V+/V-	AC/DC12-24	500 / 250	6	540
88227.061.02	4000-4500K	6*1	V+/V-	AC/DC12-24	500 / 250	6	570
88227.061.03	5000-5500K	6*1	V+/V-	AC/DC12-24	500 / 250	6	600
88227.061.04	6000-6500K	6*1	V+/V-	AC/DC12-24	500 / 250	6	600
88227.061.05	Red	6*1	V+/V-	AC/DC12-24	500 / 250	6	150
88227.061.06	Green	6*1	V+/V-	AC/DC12-24	500 / 250	6	360
88227.061.07	Blue	6*1	V+/V-	AC/DC12-24	500 / 250	6	180
88227.061.08	Yellow	6*1	V+/V-	AC/DC12-24	500 / 250	6	420
88227.061.09	RGB-DMX512 (3 channel)	6*1	V+/V-/D+/D-/GND	AC/DC12-24	R: 166 / 83 B: 166 / 83 G: 166 / 83	R: 2 B: 2 G: 2	R: 50 B: 60 G: 120
88227.061.10	Auto changing color	6*1	V+/V-	AC12-24	R: 166 / 83 B: 166 / 83 G: 166 / 83	R: 2 B: 2 G: 2	R: 50 B: 60 G: 120
88227.061.12	RGBV+ (build-in CC driver)	6*1	R/G/B/V+	DC12-24	R: 166 / 83 B: 166 / 83 G: 166 / 83	R: 2 B: 2 G: 2	R: 50 B: 60 G: 120



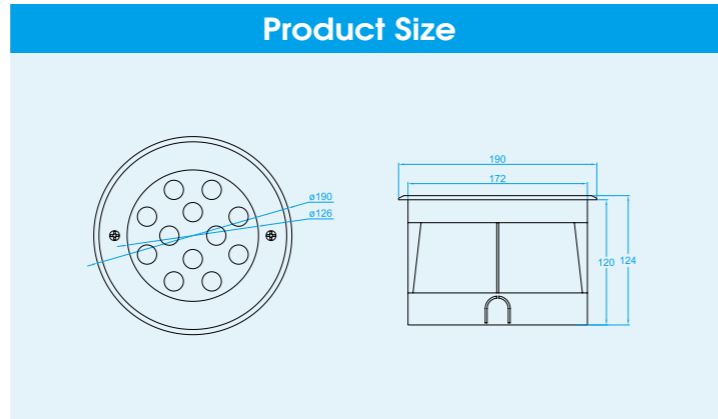
Specification

Model No.:	RS-RP9X(88232)
Front cover & Housing:	304 Stainless steel lamp body+Plastic installation box
Dimensions:	D170*H124mm
Tempered Glass:	8mm thickness
LED chip:	Epistar
LED Q'ty:	9pcs 1W LED
Cable gland:	Nickel plated brass PG9
Driver:	Constant current driver
Lens:	Clear, Bead, Frosted
Beam Angle Options:	10° 30° 45° 60° 90°
Power Cable:	2*1.0mm ² / 4*0.75mm ² / 2*1.5*3*0.5mm ² VDE rubber cable
Protection Class:	IP68
Environment:	Dry / Pool
Mounting Hardware:	Embedded System
Net Weight:	0.8kgs with 1.5m cable
Lifetime:	>50000H

Order information

Item code	Color	Light source(w)	Line Way	Input Voltage (v)	Operating current (mA)	Consumption (w)	Luminous flux (lm)
88232.091.01	2700-3000K	9*1	V+/V-	AC/DC12-24	750 / 375	9	810
88232.091.02	4000-4500K	9*1	V+/V-	AC/DC12-24	750 / 375	9	855
88232.091.03	5000-5500K	9*1	V+/V-	AC/DC12-24	750 / 375	9	900
88232.091.04	6000-6500K	9*1	V+/V-	AC/DC12-24	750 / 375	9	900
88232.091.05	Red	9*1	V+/V-	AC/DC12-24	750 / 375	9	225
88232.091.06	Green	9*1	V+/V-	AC/DC12-24	750 / 375	9	540
88232.091.07	Blue	9*1	V+/V-	AC/DC12-24	750 / 375	9	270
88232.091.08	Yellow	9*1	V+/V-	AC/DC12-24	750 / 375	9	630
88232.091.09	RGB-DMX512 (3 channel)	9*1	V+/V-/D+/D-/GND	AC/DC12-24	R: 250 / 125 B: 250 / 125 G: 250 / 125	R: 3 B: 3 G: 3	R: 75 B: 90 G: 180
88232.091.10	Auto changing color	9*1	V+/V-	AC12	R: 250 B: 250 G: 250	R: 3 B: 3 G: 3	R: 75 B: 90 G: 180
88232.091.12	RGBV+ (build-in CC driver)	9*1	R/G/B/V+	DC12-24	R: 250 / 125 B: 250 / 125 G: 250 / 125	R: 3 B: 3 G: 3	R: 75 B: 90 G: 180



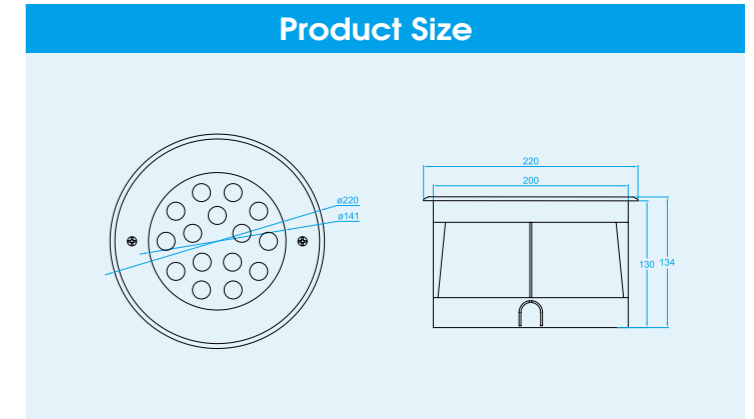


Specification

Model No.:	RS-RP12X(88233)
Front cover & Housing:	304 Stainless steel lamp body+Plastic installation box
Dimensions:	D190*H124mm
Tempered Glass:	10mm thickness
LED chip:	Epistar
LED Q'ty:	12pcs 1W LED
Cable gland:	Nickel plated brass PG9
Driver:	Constant current driver
Lens:	Clear, Bead, Frosted
Beam Angle Options:	10° 30° 45° 60° 90°
Power Cable:	2*1.0mm ² / 4*0.75mm ² / 2*1.5*3*0.5mm ² VDE rubber cable
Protection Class:	IP68
Environment:	Dry / Pool
Mounting Hardware:	Embedded System
Net Weight:	1.4kgs with 1.5m cable
Lifetime:	>50000H

Order information

Item code	Color	Light source(w)	Line Way	Input Voltage (v)	Operating current (mA)	Consumption (w)	Luminous flux (lm)
88233.121.01	2700-3000K	12*1	V+/V-	AC/DC12-24	1000 / 500	12	1080
88233.121.02	4000-4500K	12*1	V+/V-	AC/DC12-24	1000 / 500	12	1140
88233.121.03	5000-5500K	12*1	V+/V-	AC/DC12-24	1000 / 500	12	1200
88233.121.04	6000-6500K	12*1	V+/V-	AC/DC12-24	1000 / 500	12	1200
88233.121.05	Red	12*1	V+/V-	AC/DC12-24	1000 / 500	12	300
88233.121.06	Green	12*1	V+/V-	AC/DC12-24	1000 / 500	12	720
88233.121.07	Blue	12*1	V+/V-	AC/DC12-24	1000 / 500	12	360
88233.121.08	Yellow	12*1	V+/V-	AC/DC12-24	1000 / 500	12	840
88233.121.09	RGB-DMX512 (3 channel)	12*1	V+/V- / D+/D- / GND	AC/DC12-24	R: 333 / 166 B: 333 / 166 G: 333 / 166	R: 4 B: 4 G: 4	R: 100 B: 120 G: 240
88233.121.10	Auto changing color	12*1	V+/V-	AC24	R: 166 B: 166 G: 166	R: 4 B: 4 G: 4	R: 100 B: 120 G: 240
88233.121.12	RGBV+ (build-in CC driver)	12*1	R/G/B/V+	DC24	R: 166 B: 166 G: 166	R: 4 B: 4 G: 4	R: 100 B: 120 G: 240



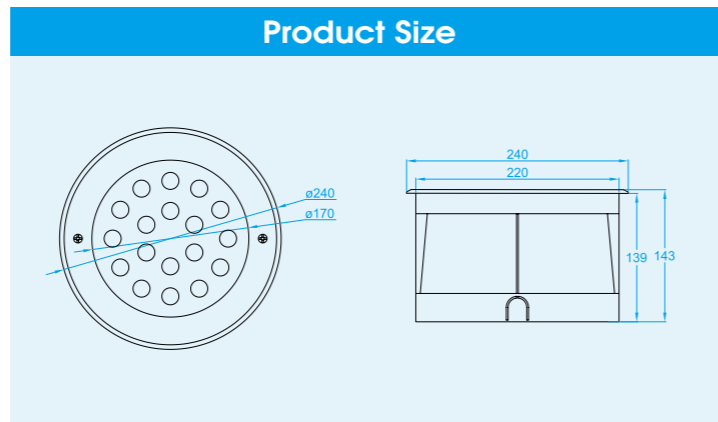
Specification

Model No.:	RS-RP15X(88234)
Front cover & Housing:	304 Stainless steel lamp body+Plastic installation box
Dimensions:	D220*H134mm
Tempered Glass:	10mm thickness
LED chip:	Epistar
LED Q'ty:	15pcs 1W LED
Cable gland:	Nickel plated brass PG9
Driver:	Constant current driver
Lens:	Clear, Bead, Frosted
Beam Angle Options:	10° 30° 45° 60° 90°
Power Cable:	2*1.0mm ² / 4*0.75mm ² / 2*1.5*3*0.5mm ² VDE rubber cable
Protection Class:	IP68
Environment:	Dry / Pool
Mounting Hardware:	Embedded System
Net Weight:	2.8kgs with 1.5m cable
Lifetime:	>50000H

Order information

Item code	Color	Light source(w)	Line Way	Input Voltage (v)	Operating current (mA)	Consumption (w)	Luminous flux (lm)
88234.151.01	2700-3000K	15*1	V+/V-	AC/DC24	625	15	1350
88234.151.02	4000-4500K	15*1	V+/V-	AC/DC24	625	15	1425
88234.151.03	5000-5500K	15*1	V+/V-	AC/DC24	625	15	1500
88234.151.04	6000-6500K	15*1	V+/V-	AC/DC24	625	15	1500
88234.151.05	Red	15*1	V+/V-	AC/DC24	625	15	375
88234.151.06	Green	15*1	V+/V-	AC/DC24	625	15	900
88234.151.07	Blue	15*1	V+/V-	AC/DC24	625	15	450
88234.151.08	Yellow	15*1	V+/V-	AC/DC24	625	15	1350
88234.151.09	RGB-DMX512 (3 channel)	15*1	V+/V- / D+/D- / GND	AC/DC24	R: 208 B: 208 G: 208	R: 5 B: 5 G: 5	R: 125 B: 150 G: 300
88234.151.10	Auto changing color	15*1	V+/V-	AC24	R: 208 B: 208 G: 208	R: 5 B: 5 G: 5	R: 125 B: 150 G: 300
88234.151.12	RGBV+ (build-in CC driver)	15*1	R/G/B/V+	DC24	R: 208 B: 208 G: 208	R: 5 B: 5 G: 5	R: 125 B: 150 G: 300



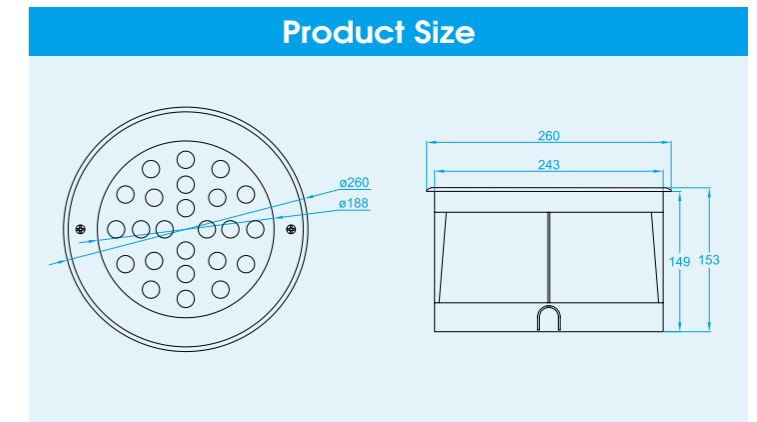


Specification

Model No.:	RS-RP18X(88235)
Front cover & Housing:	304 Stainless steel lamp body+Plastic installation box
Dimensions:	D240*H143mm
Tempered Glass:	10mm thickness
LED chip:	Epistar
LED Q'ty:	18pcs 1W LED
Cable gland:	Nickel plated brass PG9
Driver:	Constant current driver
Lens:	Clear, Bead, Frosted
Beam Angle Options:	10° 30° 45° 60° 90°
Power Cable:	2*1.0mm ² / 4*0.75mm ² / 2*1.5+3*0.5mm ² VDE rubber cable
Protection Class:	IP68
Environment:	Dry / Pool
Mounting Hardware:	Embedded System
Net Weight:	2.8kgs with 1.5m cable
Lifetime:	>50000H

Order information

Item code	Color	Light source(w)	Line Way	Input Voltage (v)	Operating current (mA)	Consumption (w)	Luminous flux (lm)
88235.181.01	2700-3000K	18*1	V+/V-	AC/DC24	750	18	1620
88235.181.02	4000-4500K	18*1	V+/V-	AC/DC24	750	18	1710
88235.181.03	5000-5500K	18*1	V+/V-	AC/DC24	750	18	1800
88235.181.04	6000-6500K	18*1	V+/V-	AC/DC24	750	18	1800
88235.181.05	Red	18*1	V+/V-	AC/DC24	750	18	450
88235.181.06	Green	18*1	V+/V-	AC/DC24	750	18	1080
88235.181.07	Blue	18*1	V+/V-	AC/DC24	750	18	540
88235.181.08	Yellow	18*1	V+/V-	AC/DC24	750	18	1260
88235.181.09	RGB-DMX512 [3 channel]	18*1	V+/V- /D+/D- /GND	AC/DC24	R: 250 G: 250 B: 250	R: 6 G: 6 B: 6	R: 150 G: 360 B: 180
88235.181.10	Auto changing color	18*1	V+/V-	AC24	R: 250 G: 250 B: 250	R: 6 G: 6 B: 6	R: 150 G: 360 B: 180
88235.181.12	RGBV+ [build-in CC driver]	18*1	R/G/B/V+	DC24	R: 250 G: 250 B: 250	R: 6 G: 6 B: 6	R: 150 G: 360 B: 180



Specification

Model No.:	RS-RP24X(88236)
Front cover & Housing:	304 Stainless steel lamp body+Plastic installation box
Dimensions:	D260*H153mm
Tempered Glass:	10mm thickness
LED chip:	Epistar
LED Q'ty:	24pcs 1W LED
Cable gland:	Nickel plated brass PG9
Driver:	Constant current driver
Lens:	Clear, Bead, Frosted
Beam Angle Options:	10° 30° 45° 60° 90°
Power Cable:	2*1.0mm ² / 4*0.75mm ² / 2*1.5+3*0.5mm ² VDE rubber cable
Protection Class:	IP68
Environment:	Dry / Pool
Mounting Hardware:	Embedded System
Net Weight:	4.6kgs with 1.5m cable
Lifetime:	>50000H

Order information

Item code	Color	Light source(w)	Line Way	Input Voltage (v)	Operating current (mA)	Consumption (w)	Luminous flux (lm)
88236.241.01	2700-3000K	24*1	V+/V-	AC/DC24	1000	24	2160
88236.241.02	4000-4500K	24*1	V+/V-	AC/DC24	1000	24	2280
88236.241.03	5000-5500K	24*1	V+/V-	AC/DC24	1000	24	2400
88236.241.04	6000-6500K	24*1	V+/V-	AC/DC24	1000	24	2400
88236.241.05	Red	24*1	V+/V-	AC/DC24	1000	24	600
88236.241.06	Green	24*1	V+/V-	AC/DC24	1000	24	1440
88236.241.07	Blue	24*1	V+/V-	AC/DC24	1000	24	720
88236.241.08	Yellow	24*1	V+/V-	AC/DC24	1000	24	1680
88236.241.09	RGB-DMX512 [3 channel]	24*1	V+/V- /D+/D- /GND	AC/DC24	R: 333 G: 333 B: 333	R: 8 G: 8 B: 8	R: 200 G: 480 B: 240
88236.241.10	Auto changing color	24*1	V+/V-	AC24	R: 333 G: 333 B: 333	R: 8 G: 8 B: 8	R: 200 G: 480 B: 240
88236.241.12	RGBV+ [build-in CC driver]	24*1	R/G/B/V+	DC24	R: 333 G: 333 B: 333	R: 8 G: 8 B: 8	R: 200 G: 480 B: 240

